



Thermal Transfer Printer

T200 IDENT Printer

Operator's-Manual  
(412-121029 Revision 1)



**Edition:** 412-121029 rev 1

**Copyright**

This documentation as well as translations hereof are property of TE Connectivity.

The replication, conversion, duplication or divulgement of the whole manual or parts of it for other intentions than its original intended purpose demand the previous written authorization by TE Connectivity.

**Trademark**

Centronics® is a registered trademark of the Data Computer Corporation.

Microsoft® is a registered trademark of the Microsoft Corporation.

Windows 2000®, 2003®, XP®, Windows 7® are registered trademarks of the Microsoft Corporation.

TrueType™ is a registered trademark of Apple Computer, Inc.

**Editor**

Regarding questions or comments please contact TE Connectivity.

**Topicality**

Due to the constant further development of our products discrepancies between documentation and product can occur.

**Terms and conditions**

Deliveries and performances are effected under the General conditions of sale of TE Connectivity, except that any open source software included in this product is solely governed by the terms of the applicable open source software license agreement.

---

**Global Identification Technical Contact Information**

Printer & Software Technical Support:



Tel: +44(0) 1793 616700 • Email: [uksales@is-rayfast.com](mailto:uksales@is-rayfast.com)  
Email: [export@is-rayfast.com](mailto:export@is-rayfast.com) • [www.is-rayfast.com](http://www.is-rayfast.com)  
2 Lydiard Fields, Swindon, Wiltshire, SN5 8UB, United Kingdom

<b>1</b>	<b>Introduction</b> .....	<b>5</b>
1.1	Product Description .....	5
1.2	Instructions .....	5
1.3	Intended Use .....	6
1.4	Disclaimer .....	6
1.5	Safety Instructions .....	6
1.6	Environment.....	7
<b>2</b>	<b>Installation</b> .....	<b>8</b>
2.1	Printer Overview .....	8
2.2	Unpacking and Setting-up the Printer.....	9
2.3	Connecting the Printer .....	10
2.3.1	Connecting to the Power Supply .....	10
2.3.2	Connecting to a Computer or Computer Network .....	10
2.4	Switching on the Printer.....	11
<b>3</b>	<b>Control Panel</b> .....	<b>12</b>
3.1	Structure of the Touchscreen Display .....	12
3.2	Operating the Touchscreen Display .....	12
3.3	Symbols on the Start Display.....	13
3.4	Printer States .....	14
<b>4</b>	<b>Loading Media</b> .....	<b>15</b>
4.1	Loading Media from Roll.....	15
4.2	Loading Externally Fed and Fanfold Media .....	16
4.3	Adjusting the Media Sensor.....	17
4.4	Loading Transfer Ribbon .....	18
4.5	Setting the Feed Path of the Transfer Ribbon .....	19
<b>5</b>	<b>Cutter / Perforator (Option)</b> .....	<b>20</b>
<b>6</b>	<b>Printing Operation</b> .....	<b>21</b>
6.1	Printing in Tear-off Mode (For Labels only).....	21
6.2	Printing in Cutting Mode .....	21
6.3	Synchronizing the Media Feed .....	21
<b>7</b>	<b>Maintenance</b> .....	<b>22</b>
7.1	Cleaning Instructions .....	22
7.2	Cleaning the Printhead .....	22
7.3	Changing the Printhead.....	23
7.4	Cleaning or Replacing the Print Roller.....	24
7.5	Cleaning Cutter / Perforator and Replace Blades.....	25
<b>8</b>	<b>Fault Correction</b> .....	<b>27</b>
8.1	Types of Errors .....	27
8.2	Problem Solution .....	27
8.3	Error Messages and Fault Correction.....	29

<b>9</b>	<b>Licences .....</b>	<b>32</b>
9.1	EC Declaration of Conformity .....	32
9.2	FCC .....	33
9.3	Open Source Software Information .....	33
<b>10</b>	<b>Index .....</b>	<b>39</b>

## 1.1 Product Description

The device is an industrial thermal transfer printer for printing TE Connectivity cable Identification and label products hence forth referred to as media.

## 1.2 Instructions

Important information and instructions in this documentation are designated as follows:



### **Danger!**

**Draws your attention to an exceptionally grave, impending danger to your health or life.**



### **Warning!**

**Indicates a hazardous situation that could lead to injuries or material damage.**



### **Attention!**

**Draws attention to possible dangers, material damage or loss of quality.**



### **Notice!**

**Gives you tips. They make a working sequence easier or draw attention to important working processes.**



### **Environment!**

Gives you tips on protecting the environment.



Handling instruction



Reference to section, position, illustration number or document.



Option (accessories, peripheral equipment, special fittings).

Time

Information in the display.

### 1.3 Intended Use

- The printer is manufactured in accordance with the current technological status and recognized safety rules. However, danger to the life and limb of the user or third parties and/or damage to the printer and other tangible assets can arise during use.
- The printer may only be used for its intended purpose and if it is in perfect working order, and it must be used with regard to safety and dangers as stated in this operating manual.
- The printer is intended exclusively for printing suitable TE Connectivity (TE) approved media. Any other use going beyond this shall be regarded as improper use. The manufacturer/supplier shall not be liable for damage resulting from unauthorized use; the user shall bear the risk alone.
- Usage for the intended purpose also includes complying with this manual, including the manufacturer's maintenance recommendations and specifications.

### 1.4 Disclaimer

While TE has made every reasonable effort to ensure the accuracy of the information in this document, TE does not guarantee that it is error-free, nor does TE make any other representation, warranty or guarantee that the information is accurate, correct, reliable or current. TE reserves the right to make any adjustments to the information contained herein at any time without notice. TE expressly disclaims all implied warranties regarding the information contained herein, including, but not limited to, any implied warranties of merchantability or fitness for a particular purpose. The dimensions in this document are for reference purposes only and are subject to change without notice. Specifications are subject to change without notice. Consult TE for the latest dimensions and design specifications.

Only the English Language version of this document is legally binding

#### Notice!



**The complete documentation is included on the enclosed DVD found in the printer box.**

### 1.5 Safety Instructions

- The printer is configured for voltages of 100 to 240 V AC. The printer must be connected to a grounded socket.
- Only connect the printer to other devices which have a protective low voltage.
- The printer may only be used in a dry environment, do not expose it to moisture (sprays of water, mists, etc.).
- Do not use the printer in an explosive atmosphere.
- Do not use the printer close to high-voltage power lines.

- When the printer is in operation the cover must be closed. However when loading or operating the printer, ensure all loose clothing, long hair, jewelry etc, do not come into contact with the exposed rotating parts.
- The printer or parts of it can become hot while printing. Do not touch during operation, and allow to cool down before changing media and before disassembly.
- Risk of crushing when closing the cover. Touch the cover at the outside only. Do not reach into the hinge range of the cover.
- Perform only those actions described in this operating manual. Work going beyond this may only be performed by trained personnel or service technicians.
- Unauthorized interference with electronic modules or their software can cause malfunctions.
- Other unauthorized work on or modifications to the printer can also endanger operational safety.
- Always have service work done in a qualified workshop, where the personnel have the technical knowledge and tools required to do the necessary work.
- There are various warning stickers on the printer. They draw your attention to dangers. Warning stickers must therefore not be removed, as then you and other people cannot be aware of dangers and may be injured.
- The maximum sound pressure level is less than 70 dB(A).

**Danger!**

**Danger to life and limb from power supply.**

- ▶ **Do not open the printer casing.**

## 1.6 Environment



Obsolete printers contain valuable recyclable materials that should be sent for recycling.

- ▶ Send to suitable collection points, separately from residual waste.

The modular construction of the printer enables it to be easily disassembled into its component parts.

- ▶ Send the parts for recycling.



The electronic circuit board of the printer is equipped with a lithium battery.

- ▶ Take old batteries to collection boxes in shops or public waste disposal centers..

### 2.1 Printer Overview

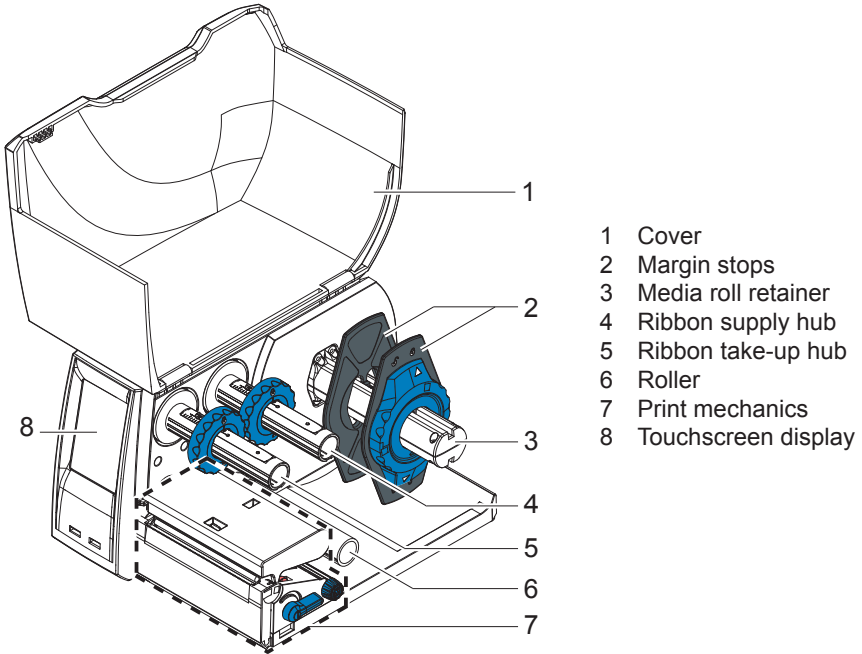


Fig. 1 Printer with Tear-off Plate

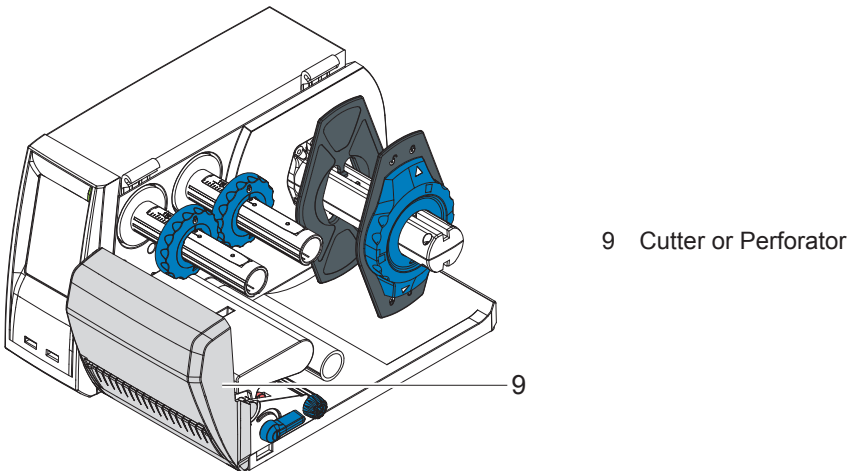


Fig. 2 Printer with Cutter or Perforator



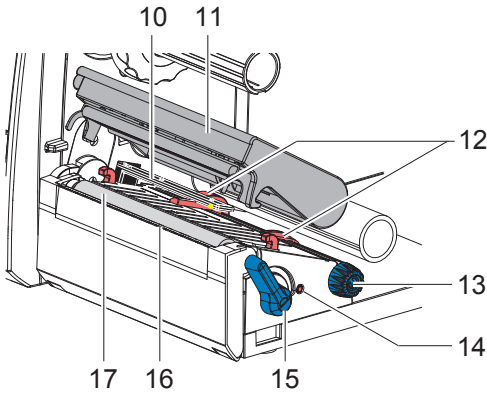


Fig. 3 Print Mechanics

- 10 Media sensor
- 11 Printhead retainer with printhead
- 12 Media guides
- 13 Knob for adjusting the guides
- 14 Knob for adjusting the media sensor
- 15 Lever for locking the printhead
- 16 Tear-off plate
- 17 Print roller

## 2.2 Unpacking and Setting-up the Printer

- ▶ Lift the printer out of the box and set it up on a level surface.
- ▶ Check printer for damage which may have occurred during transport.
- ▶ Check delivery for completeness.

Contents of Delivery:

- T200 Ident Printer
- Power Cable EU
- Power Cable UK
- Power Cable US
- Cardboard Core
- Operator's Manual
- DVD with demo versions of Wintotal and Printeasy, Windows driver and documentation
- USB Cable

### Notice!



**Please keep the original packaging in case the printer must be returned.**



### Notice!

**When transporting the printer remove the transfer ribbon and media.**

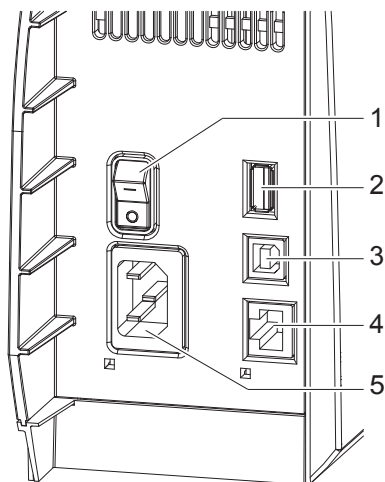


### Attention!

**The printer and media can be damaged by moisture and excessive dust contamination.**

- ▶ **Set up the Printer in a dry location protected from splashed liquids, and sources of excessive dust.**

## 2.3 Connecting the Printer



- 1 Power switch
- 2 USB master ports for keyboard, scanner or memory stick,  $I_{\max}=500\text{mA}$
- 3 USB full-speed slave port
- 4 Ethernet 10/100 Base-T
- 5 Power connection jack

Fig. 4 Connections

### 2.3.1 Connecting to the Power Supply

The printer is equipped with a wide area power unit for a supply voltage of 100 V to 240 V.

1. Check that the printer is switched off.
2. Plug the power cable into the power connection jack (5).
3. Plug the power cable into a grounded socket.

### 2.3.2 Connecting to a Computer or Computer Network



#### Attention!


Inadequate or no grounding can cause malfunctions during operations.

- ▶ Ensure that all computers and cables connected to the printer are grounded.
- ▶ Connect the printer to a computer or network by a suitable cable.

### 2.4 Switching on the Printer

When all connections have been made:

- ▶ Switch the printer on at the power switch (1).  
The printer performs a system test, and then shows the system status *Ready* in the display.

If an error occurs during the system test, the symbol , *Critical fault* and type of error are displayed.

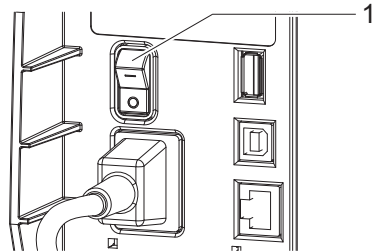
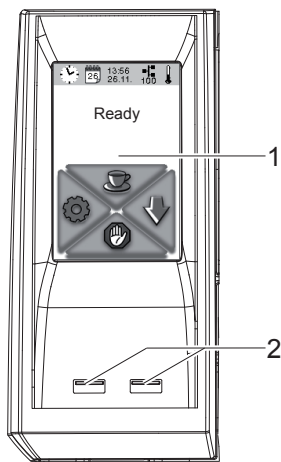


Fig. 5 Power Switch

### 3.1 Structure of the Touchscreen Display

**Notice!**

It is advantageous, whenever possible, to make adaptations to various print jobs in the software.



The touchscreen display (1) indicates the current status of the printer and the print job, indicates faults and shows the printer settings in the menu.

By selecting the buttons on the touchscreen display (1) settings can be made.

Two USB master ports ( $2 / I_{\max} = 100 \text{ mA}$ ) are positioned under the touchscreen display (1).

Fig. 6 Touchscreen Display

### 3.2 Operating the Touchscreen Display

The touchscreen display is operated directly by touch:

- To open a menu or select a menu item lightly touch the corresponding symbol.
- To scroll in lists slide finger up or down on the display.

## 3.3 Symbols on the Start Display





Symbol	Status	Function
	Ready	To offline menu
	Ready	Feeds a marker
	Ready	After the end of a print job, reprint the last label
	Printing label	Interrupt print job, printer goes into "Pause" state
	Pause	Continue the print job, printer goes into "Printing label" state
	Ready	Delete internal memory, the last label can no longer be reprinted.
	Printing label	Press shortly → cancels the current print job
	Pause	Press long → cancels the current print job and deletes all print jobs

Table 1 Symbols on the Start Display

## 3.4 Printer States






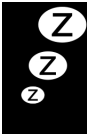
State	Display	Description
Ready		The printer is in the ready state and can receive data.
Printing Label	Printing Label and the number of the printed label in the print job.	The printer is currently processing an active print job. Data can be transmitted for a new print job. The new print job will start when the previous one has finished.
Pause	Pause and the symbol 	The printing process has been interrupted by the operator.
Correctable error	 <b>Continue</b> <b>Cancel</b> the type of error and the number of labels still to be printed, display turns red.	An error has occurred that can be rectified by the operator without interrupting the print job. The print job can be continued after the error has been rectified.
Irrecoverable error	 <b>Cancel</b> the type of error and the number of labels still to be printed, display turns red.	An error has occurred that cannot be rectified without interrupting the print job.
Critical error	 Critical fault and the type of error, display turns red.	An error occurs during the system test. ▶ Switch the printer off and then on again at the power switch. Call Service if the fault occurs persistently.
Power Save Mode		If the printer is not used for a lengthy period, it automatically switches to power save mode. ▶ To exit power save mode: Touch touchscreen display.

Table 2 Printer States

## 4.1 Loading Media from Roll

**Attention!**

- ▶ The diameter of media spool greater than 170mm (6 11/16 inches) can not be fitted in the media roll retainer.

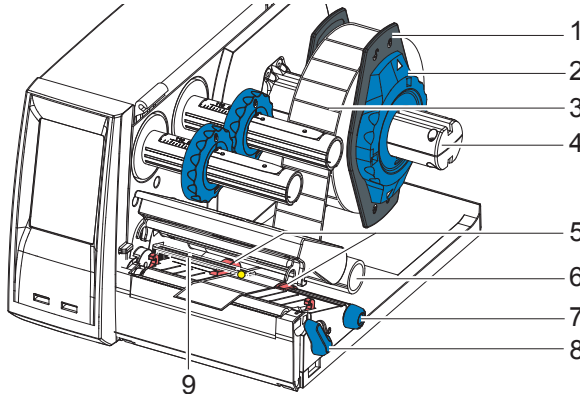




Fig. 7 Loading Media from Roll

1. Turn ring (2) counterclockwise, so that the arrows points to the symbol , and thus release the margin stop (1) from the media roll retainer (4).
2. Load media roll (3) on the roll retainer (4) in such a way that the printing side of the media is visible from above.
3. Re-mount the margin stop (1) and push against the media roll as far as possible.
4. Turn ring (2) clockwise, so that the arrow points to the symbol , and thus fix the margin stop (1) on the roll retainer (4).
5. Turn lever (8) counterclockwise to open printhead.
6. If the printer is equipped with a cutter or perforator, fold it down.
7. Position guides (5) by turning the knob (7) so that they are several millimeters wider than the media.
8. Position material below the roller (6) and guide it through the print unit.

**Attention!**

- ▶ Guide media through the print unit below the media sensor (9).

9. Move the guides (5) closely to the edges of the media without clamping the media.
10. Adjust media sensor (▷ 4.3 on page 17).
11. If the printer is equipped with a cutter / perforator, guide media through the cutter / perforator and fold cutter / perforator back to the printing unit.
12. Press printhead retainer down and turn lever (8) clockwise to lock the printhead.

## 4.2 Loading Externally Fed and Fanfold Media

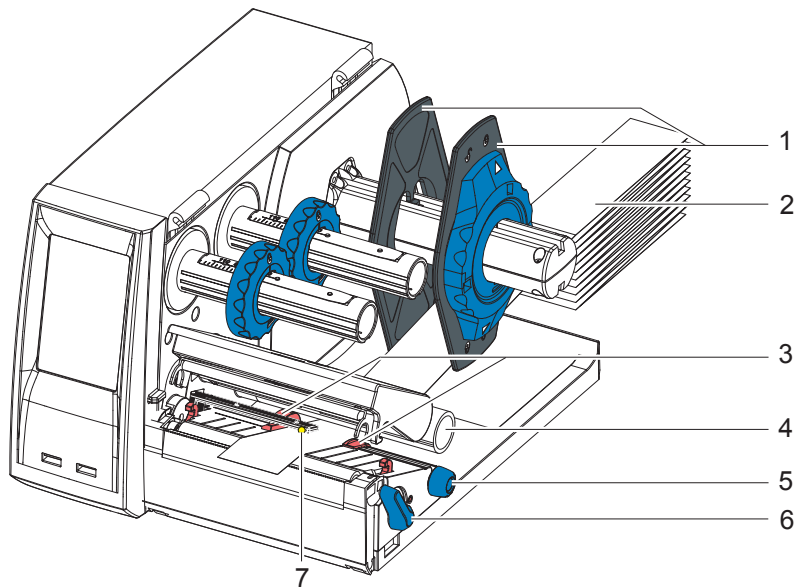


Fig. 8 Loading externally fed and fanfold media

1. Position media (2) behind the printer.
2. Guide the media below the roll retainer (1) to the printing unit. Ensure that the printing side of the media is visible from above.
3. Turn lever (6) counterclockwise to open printhead.
4. If the printer is equipped with a cutter or perforator, fold it down.
5. Position guides (3) by turning the knob (5) so that they are several millimeters wider than the media.
6. Position media below the roller (4) and guide it through the print unit.



### Attention!

► **Guide media through the print unit below the media sensor (7).**

7. Move guides (3) closely to the edges of the media without clamping the media.
8. Adjust media sensor (▷ 4.3 on page 17).
9. If the printer is equipped with a cutter / perforator, guide media through the cutter / perforator and fold cutter / perforator back to the printing unit.
10. Press printhead down and turn lever (6) clockwise to lock the printhead.



### 4.3 Adjusting the Media Sensor

**Notice!**

When the printer is delivered the media sensor is positioned in the middle of the media feed. Thus, the media sensor must only be adjusted if:

- media with reflex or cut-out marks, which are not in the middle,
- multi-strip media with an even number of strips,
- media with irregularly shaped labels are used.

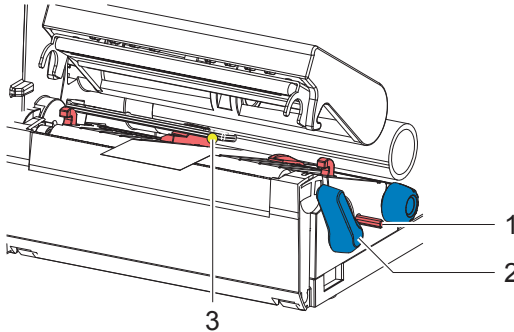


Fig. 9 Adjusting the Media Sensor

The sensor position (3) is marked with a yellow LED in the sensor retainer.

1. Press the sensor adjuster knob (1) using a pointed object, enabling the spring loaded sensor adjuster knob to be presented outside of the housing.
2. Position the sensor (3) by turning the knob (1) so that the sensor can detect the front edge of the media in the direction of paper flow or the reflex or cut-out mark.
3. Push the sensor adjuster knob (1) back into the housing using a pointed object until it snaps into place.

## 4.4 Loading Transfer Ribbon

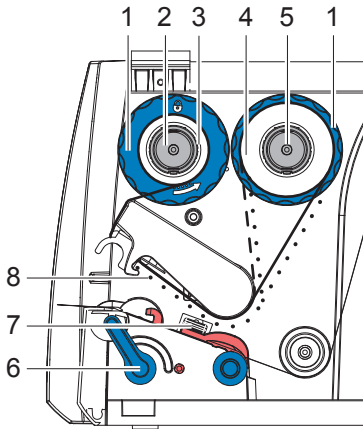


Fig. 10 Transfer Ribbon Feed Path

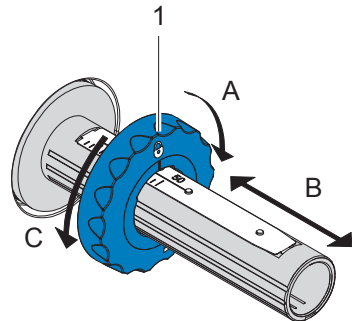


Fig. 11 Edge Guide Adjustment



### Attention!

- ▶ **Clean the printhead before loading the transfer ribbon**  
(▷ 7.2 on page 7.2).

1. Turn lever (6) counterclockwise to open the printhead.
2. Set guide (1) on both hubs (2, 5) to the correct transfer ribbon width (Fig. 11):
  - Hold hub and unlock guide (1) by turning it clockwise in direction A.
  - Slide guide in direction B and adjust guide to ribbon width using the scale.
  - Hold hub and lock edge guide by turning it counterclockwise in direction C.
3. Load transfer ribbon (4) on the hub (5) up to the edge guide (1) in a way that the ink coating of the ribbon faces the opposite side of the print head after being loaded.



### Notice!

**To wind the ribbon an empty ribbon core (3) is needed that must be at least equal in width to the supply ribbon.**

- ▶ **When changing the transfer ribbon use the empty supply ribbon core for winding the next ribbon.**

4. Adjust position of the edge guide on the take-up hub to the width of the ribbon core (3) and push ribbon core on the take-up hub (2).
5. Guide the transfer ribbon through the printing unit as shown in Fig. 10 in a way that the ink coating (8) of the ribbon contacts on the media to be printed NOT the printhead.



### Attention!

- ▶ **Guide transfer ribbon over the media sensor (7).**

6. Secure the starting end of the transfer ribbon to the ribbon core (3) using adhesive tape. Ensure counterclockwise rotation direction of the transfer ribbon take-up hub (2).
7. Turn the transfer ribbon take-up hub (2) counterclockwise to smooth out the feed path of the transfer ribbon.
8. Press the printhead down and turn lever (6) clockwise to lock printhead.

## 4.5 Setting the Feed Path of the Transfer Ribbon

Transfer ribbon wrinkling can lead to print image errors. Transfer ribbon deflection can be adjusted so as to prevent wrinkles.

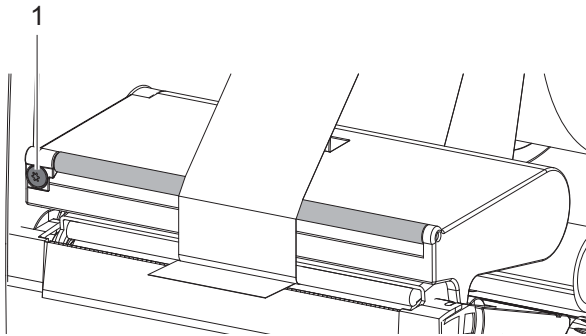


Fig. 12 Setting the Feed Path of the Transfer Ribbon

### Notice!

**The adjustment is best carried out during printing.**

- ▶ Turn screw (1) with torx wrench TX10 and observe the behavior of the ribbon.
  - By turning it clockwise the outer edge of the transfer ribbon is tightened.
  - By turning it counterclockwise the inner edge of the transfer ribbon is tightened.

The cutter / perforator must be mounted to the printer during initial setup.

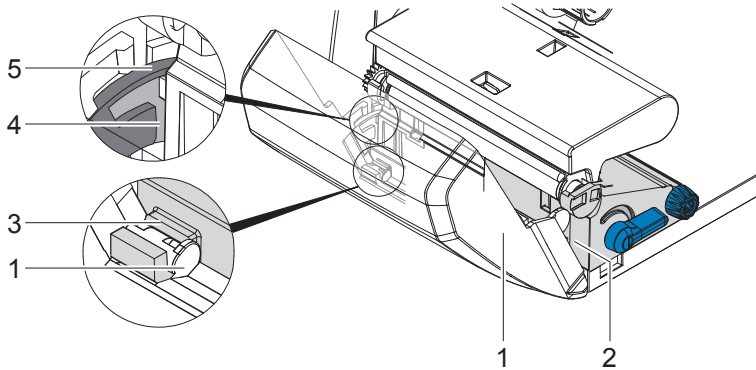


Fig. 13 Mount Cutter or Perforator

1. Put snap arm (5) of the cutter / perforator with the groove (4) first into the guide on the retainer (2).
2. Push the cutter / perforator (1) down into the holders (3).
3. Fold up the cutter / perforator (1) so that it snaps on both sides of the retainer (2).

**Notice!**



- When setting up the perforator please consult TE document "T200 Ident Perforator setup instruction"(411-121015) found on the DVD enclosed in the printer box and enclosed in the Perforator box.

**Attention!**

Printhead damage is caused by improper handling!

- ▶ Do not touch the underside of the printhead with fingers or sharp objects.
- ▶ Ensure the media is clean by storing in a clean environment.

The printer is ready for operation when all of the connections have been made, and the media and the transfer ribbon has been loaded.

## 6.1 Printing in Tear-off Mode (For Labels only)


After printing, the label can be torn-off manually. The printer is equipped with a tear-off plate for this purpose.

## 6.2 Printing in Cutting Mode

The printer can be equipped with a cutter or perforator, to cut off or perforate labels or continuous media automatically after printing.

## 6.3 Synchronizing the Media Feed

After the media has been inserted for cutting, calibration (synchronization) is required. The first media section detected by the media sensor is transported to the print position, with all media sections before being fed out of the printer. This calibration (synchronization), will avoid an incorrectly cut media section length (too long).

- ▶ Press  to start the calibration (synchronization).
- ▶ Remove the blank media sections cut during the calibration (synchronization).

**Notice!**

**Calibration (synchronization) is not necessary if the printhead was not opened between different print jobs, even if the printer was switched off.**

## 7.1 Cleaning Instructions



### **Danger!**

**Risk of death from electric shock!**

- ▶ **Disconnect the printer from the power supply before performing any maintenance work.**

It is important to clean the thermal printhead regularly. This guarantees a consistently good printed image and reduces wear of the printhead.

Otherwise, the maintenance is limited to monthly cleaning of the printer.



### **Attention!**

**The printer can be damaged by aggressive cleansers.**

- ▶ **Do not use abrasive cleaning materials, always use TE recommended cleaning products.**

**For ordering information please contact your local TE representative, or use the contact details on page 2 of this Manual.**

- ▶ Remove dust and paper fluff from the print area with a soft brush or vacuum cleaner.

## 7.2 Cleaning the Printhead

Cleaning intervals: - every ribbon roll change

Substances may accumulate on the printhead during printing and adversely affect printing.



### **Attention!**

**Printhead damage is caused by improper handling!**

- ▶ **Do not touch the underside of the printhead with fingers or sharp objects.**



### **Attention!**

**Risk of injury from the hot printhead line.**

- ▶ **Ensure that the printhead has cooled down before starting cleaning.**

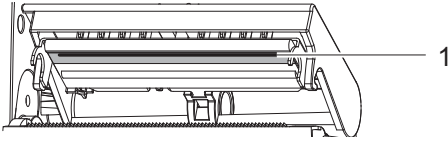


Fig. 14 Printhead Line

1. Lift the printhead.
2. Remove media and transfer ribbon from the printer.
3. Clean printhead line(1) with TE recommended cleaning materials.
4. Allow the printhead to dry for 2 - 3 minutes before commencing printing.

### 7.3 Changing the Printhead

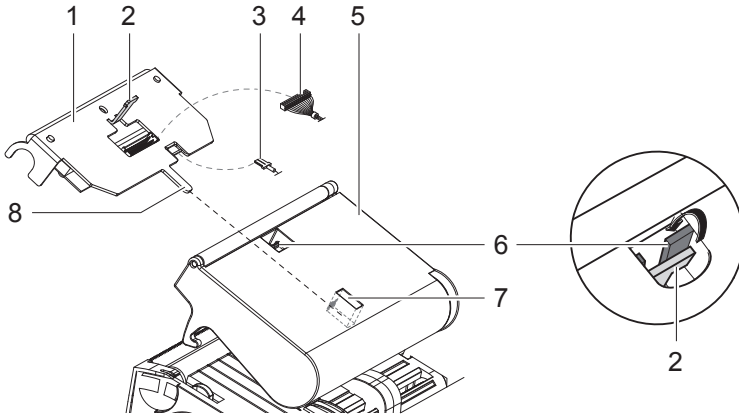


Fig. 15 Printhead

1. Fold up printhead retainer (5).
2. Remove media and ribbon from the printer.
3. Push the printhead (1) up against the printhead retainer, slide the holding lug (2) over the web (6) and pull it out of the slot in the printhead retainer.
4. Remove the printhead from the guide (6) in the printhead retainer.
5. Detach the cables (3 and 4) from the printhead.
6. After changing the printhead, attach the cables (3 and 4) to the printhead.
7. Insert the holding lug (7) of the printhead into the guide (6) in the retainer.
8. Push printhead (1) up against the printhead retainer. While doing so, guide the holding lug (2) of the printhead upwards through the slot in the retainer.
9. Slide the printhead into the printhead retainer until the holding lug (2) latches over the web (6).

## 7.4 Cleaning or Replacing the Print Roller

Accumulations of dirt on the print roller may impair the media transport and the print quality.



### Attention!

**Damage of the print roller.**

- ▶ Do not use sharp objects (knives, screwdrivers, etc.) to clean the print roller.

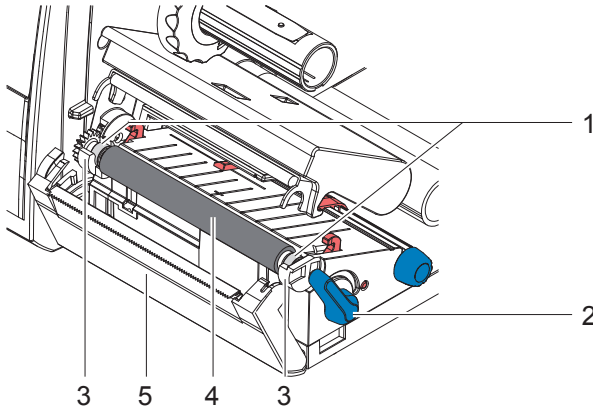


Fig. 16 Print Roller

1. Turn lever (2) counterclockwise to open printhead.
2. Remove media and transfer ribbon from the printer.
3. Fold down the cover (5) with the tear-off plate, cutter or perforator.
4. Lift the print roller (4) from its retainers (3).
5. Remove deposits with the TE recommended roller cleaner and a soft cloth, or replace the roller if it appears damaged.
6. Push the bearings of the print roller (1) into the retainer (3) until they click into place.
7. Fold up the cover (5) with the tear-off plate, cutter or perforator.



## 7.5 Cleaning Cutter / Perforator and Replace Blades



### Warning!

- ▶ Disconnect printer from the power supply to prevent accidental blade movement.



### Warning!

Risk of injury! The cutter / perforator blades are sharp!



### Notice!

When cutting through the label material instead of the label gap remains of adhesive may accumulate on the blades. If operating in backfeed mode, such remains of adhesive may be deposited on the drive roller as well.

- ▶ Clean the drive roller and the cutter / perforator blades often.

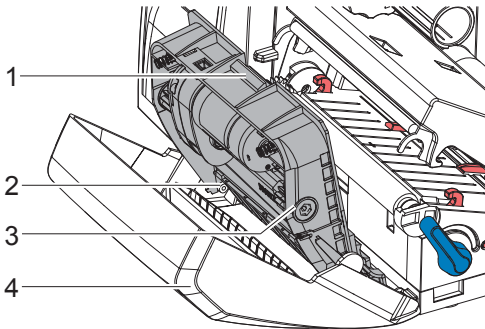


Fig. 17 Dismount Cutter / Perforator

1. Fold down the cutter / perforator.
2. Push the release push button (1) and lift the blade unit (3) from the cover (4).
3. If the blades are only slightly dirty it is sufficient to clean them with a soft cloth and continue with point 5.

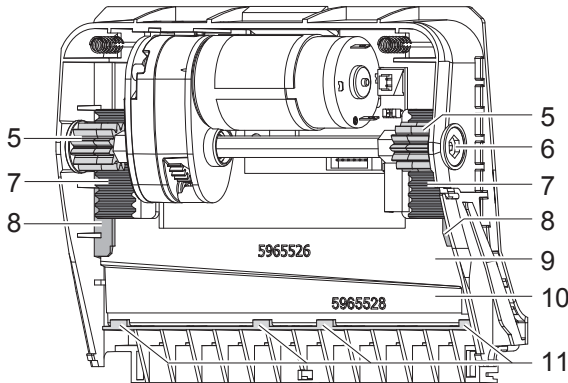


Fig. 18 Replace Blades

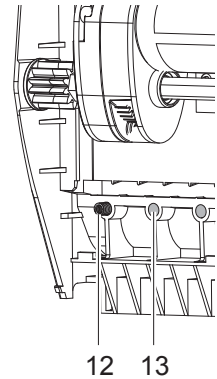


Fig. 19 Springs

4. If the blades are very dirty with residues of adhesive or if they are worn, change blades:
  - ▶ Turn the shaft (6) clockwise using a torx wrench TX10 until the gear racks (7) no longer engage.
  - ▶ Pull the upper blade (9) out of the guides (8).
  - ▶ Take out the lower blade (10).
  - ▶ Remove deposits from the blades with TE approved cleaning materials.
  - ▶ If necessary, replace blades.
  - ▶ Push the lower blade down into the guides (11).
  - ▶ If necessary, put springs (12) back into spring retainers (13).
  - ▶ To re-mount the upper blade push the lower blade down on the cover and push the upper blade into the guide until the gear racks (7) can engage with the gear wheels (5).
  - ▶ Turn the shaft (6) counterclockwise using a torx wrench TX10 until the blade reaches the upper limit.
5. Fit the blade unit (3) according to Fig. 17 into the axes (2) and fold it towards the cover (4) until it snaps in.
6. Fold the cutter / perforator up to the print unit.

## 8.1 Types of Errors

The diagnostic system indicates an error on the touchscreen display when an error occurs.




State	Display	Button
Correctable error		<b>Continue, Cancel</b> Display turns red
Irrecoverable error		<b>Cancel</b> Display turns red
Critical fault		<b>Cancel</b> Display turns red

Table 3 Error States

## 8.2 Problem Solution

Problem	Cause	Remedy
Horizontal white lines in the print image	Printer is used with the <code>backfeed &gt; smart</code> in the cut or peel-off mode	Set the <code>backfeed &gt; always</code> in the setup.
Print image has smears or voids	Printhead is dirty	Clean the printhead ▷ 7.2 on page 22
	Temperature too high	Decrease temperature via software.
	Unsuitable combination of media and transfer ribbon	Always use TE Connectivity approved products. Consult the Identification TT Printer Product Ribbon matrix (411-121005)
Printer only prints every second label	Setting of the size in the software is too large.	Adjust the dimensions of the media template in the software.
Printer prints a sequence of characters instead of the label format	Printer is in ASCII dump mode	Cancel the ASCII dump mode.
Transfer ribbon wrinkles	Transfer ribbon feed path not adjusted	Adjust transfer ribbon feed path ▷ 4.5 on page 19
	Transfer ribbon too wide	Use transfer ribbon only a little wider than the media.

<b>Problem</b>	<b>Cause</b>	<b>Remedy</b>
Vertical white lines in the print image	Printhead is dirty	Clean the printhead. ▷ 7.2 on page 22
	Printhead is defective (failure of heat elements)	Change the printhead. ▷ 7.3 on page 23

Table 4 Problem Solution

**8.3 Error Messages and Fault Correction**

<b>Error message</b>	<b>Cause</b>	<b>Remedy</b>
Barcode too big	The barcode is too big for the allocated area of the media	Reduce the size of the barcode or move it.
Barcode error	Invalid barcode content, e.g. alphanumeric characters in a numerical barcode	Correct the barcode content.
Buffer overflow	The input buffer memory is full and the computer is still transmitting data.	Use data transmission via protocol (preferably RTS/CTS).
Card full	No more data can be stored on the medium.	Replace medium.
Cutter blocked	Cutter / perforator cannot return into its home position and stays in an undefined position Material too thick or hard, cutter / perforator does not cut through material but can return to initial position.	Switch off the printer. Remove material. Switch on the printer. Restart print job. Check material
	No cutter / perforator function	Switch the printer off and then on. If error recurs call support.
Device not conn.	Programming addresses a non-existent device	Either connect this device or correct the programming.
File not found	Requested file is not on the data medium	Check the contents of the data medium.
Font not found	Error with the selected download font	Cancel current print job, change font.
Head open	Printhead not locked	Lock printhead.
Head too hot	Printhead is overheated	After pausing the print job will be continued automatically. If the fault recurs repeatedly, reduce the heat level or the print speed via software.
Material too thick	Material too thick or hard, cutter / perforator does not cut through material but can return to initial position.	Cancel print job. Check material.
	Blunt blades	Clean or change blades ▷ 7.5 on page 25

Error message	Cause	Remedy
Memory overflow	Current print job contains too much information, e.g. selected font, large graphics	Cancel current print job. Reduce amount of data to be printed.
Name exists	Duplicate usage of field name in the direct programming	Correct programming
Network Error	e.g. No DHCP server, no link, no SMTP server, no Timeserver	Please contact your network administrator.
No label found	There are labels missing on the label material	Press <b>Continue</b> repeatedly until printer recognizes the next label on the material.
	The label format as set in the software does not correspond with the real label format	Cancel current print job. Change the label format set in the software. Restart print job.
	Printer is loaded with continuous paper, but the software is set on labels	Cancel current print job. Change the label format set in the software. Restart the print job.
No label size	The size of the label is not defined in the programming.	Check programming.
Out of paper	Out of label roll	Load labels.
	Error in the paper feed, Material is not positioned under the media sensor.	Check paper feed.
Out of ribbon	Out of transfer ribbon	Insert new transfer ribbon.
	Transfer ribbon melted during printing	Cancel current print job. Change the heat level via software. Clean the printhead ▷ 7.2 on page 22 Load transfer ribbon Restart print job.
Protocol error	Printer has received an unknown or invalid command from the computer, e.g. the command to perform a cut although a cutter is not mounted	Select <b>Continue</b> to skip the command or select <b>Cancel</b> to cancel the print job.
Read error	Read error when reading from the data medium.	Check data medium. Backup data, reformat medium.

<b>Error message</b>	<b>Cause</b>	<b>Remedy</b>
Structural err.	Error in the file list of the data medium, data access is uncertain.	Format data medium.
System Error	e.g. FPGA defective, invalid setup, voltage error	Switch the printer off and then on. Please note error details shown on the display. If error recurs call support.
Unknown card	Data medium not formatted.	Format data medium.
	Type of data medium not supported.	Use different type of data medium.
USB error	e.g. Too much current, no reaction, unknown device	Do not use the USB device.
Write error	Hardware error	Repeat the write process, reformat card.
Write protected	Data medium write protection is activated.	Deactivate the write protection.

Table 5 Error Messages and Fault Correction


## 9.1 EC Declaration of Conformity



Tyco Electronics UK Ltd  
 Faraday Road  
 Dorcan, Swindon  
 Wiltshire  
 SN3 5HH  
 UK

### EC Declaration of Conformity

We declare herewith that as a result of the manner in which the device designated below was designed, the type of construction and the devices which, as a result have been brought on to the general market comply with the relevant fundamental regulations of the EC Rules for Safety and Health. In the event of any alteration which has not been approved by us being made to any device as designated below, this statement shall thereby be made invalid.

Device:	<b>Thermal Transfer Printer</b>
Type:	<b>T200 IDENT</b>
Applied EC Regulations and Standards:	
<b>Directive 2006/95/EC relating to electrical equipment designed for use within certain voltage limits</b>	<ul style="list-style-type: none"> <li>• EN 60950-1:2006+A11:2009</li> <li>• EN 61558-1:2005+A1:2009</li> </ul>
<b>Directive 2004/108/EC relating to electromagnetic compatibility</b>	<ul style="list-style-type: none"> <li>• EN 55022:2010</li> <li>• EN 55024:2010</li> <li>• EN 61000-3-2:2006+A1:2009+A2:2009</li> <li>• EN 61000-3-3:2008</li> <li>• EN 61000-6-2:2005</li> </ul>
Signed for, and on behalf of the Manufacturer :	
<b>Tyco Electronics UK Ltd    Faraday Road,    Dorcan, Swindon,    Wiltshire    SN3 5HH, UK</b>	 Mario Appello Global Engineering Manager



## 9.2 FCC

**NOTE :** This equipment has been tested and found to comply with the limits for a Class A digital device, pursuant to Part 15 of the FCC Rules. These limits are designed to provide reasonable protection against harmful interference when the equipment is operated in a commercial environment. The equipment generates, uses, and can radiate radio frequency and, if not installed and used in accordance with the instruction manual, may cause harmful interference to radio communications. Operation of this equipment in a residential area is likely to cause harmful interference in which case the user may be required to correct the interference at his own expense.

## 9.3 Open Source Software Information

This TE product includes software code developed by third parties, including software code subject to the GNU General Public License version 3 from June 29, 2007 ("GPL"); GNU Lesser General Public License version 3 from June 29, 2007 ("LGPL"); Academic Free License version 2.1; Yabasic Artistic License; FreeType Project License of January 27, 2006; Berkeley Software Distribution Licenses ("BSD"); and Mozilla Public License Version 1.1 ("Mozilla"). Your use of this product constitutes express acceptance of the applicable license agreements, and if you do not agree with the terms of these license agreements, please do not use this product but instead return it unused to the place you purchased this product. The terms of the GPL and LGPL are available at GNU's official website [www.gnu.org](http://www.gnu.org). If you require information on obtaining access to the code subject to GPL and LGPL used in this product, please send your inquiry to:

Identification (Open source inquiry)  
Tyco Electronics UK Ltd  
Faraday Road  
Dorcan  
Swindon  
Wiltshire  
SN3 5HH  
UK

The code subject to GPL and LGPL used in this product are distributed WITHOUT ANY WARRANTY and are subject to the copyrights of one or more of their respective authors and the terms of their respective license agreements.

To obtain a copy of the Standard Version of Yabasic, see [www.yabasic.de](http://www.yabasic.de); for information on modifications of the Standard Version of Yabasic, see [www.cab.de/tw/templates/pushfile.cfm?file=1507](http://www.cab.de/tw/templates/pushfile.cfm?file=1507).

The software in this product is based in part of the work of the FreeType Team.

Nano-X is distributed under Mozilla, and source code for Nano-X and any modifications thereto in this product are available under the terms of Mozilla by sending an inquiry to the above address\*.

Libsnmp is subject to various copyrights under these BSD licenses:

---- **Part 1: CMU/UCD copyright notice: (BSD like) -----**

Copyright 1989, 1991, 1992 by Carnegie Mellon University

Derivative Work - 1996, 1998-2000

Copyright 1996, 1998-2000 The Regents of the University of California

All Rights Reserved

Permission to use, copy, modify and distribute this software and its documentation for any purpose and without fee is hereby granted, provided that the above copyright notice appears in all copies and that both that copyright notice and this permission notice appear in supporting documentation, and that the name of CMU and The Regents of the University of California not be used in advertising or publicity pertaining to distribution of the software without specific written permission.

CMU AND THE REGENTS OF THE UNIVERSITY OF CALIFORNIA DISCLAIM ALL WARRANTIES WITH REGARD TO THIS SOFTWARE, INCLUDING ALL IMPLIED WARRANTIES OF MERCHANTABILITY AND FITNESS. IN NO EVENT SHALL CMU OR THE REGENTS OF THE UNIVERSITY OF CALIFORNIA BE LIABLE FOR ANY SPECIAL, INDIRECT OR CONSEQUENTIAL DAMAGES OR ANY DAMAGES WHATSOEVER RESULTING FROM THE LOSS OF USE, DATA OR PROFITS, WHETHER IN AN ACTION OF CONTRACT, NEGLIGENCE OR OTHER TORTIOUS ACTION, ARISING OUT OF OR IN CONNECTION WITH THE USE OR PERFORMANCE OF THIS SOFTWARE.

**---- Part 2: Networks Associates Technology, Inc copyright notice (BSD) ----**

Copyright (c) 2001-2003, Networks Associates Technology, Inc  
All rights reserved.

Redistribution and use in source and binary forms, with or without modification, are permitted provided that the following conditions are met:

- \* Redistributions of source code must retain the above copyright notice, this list of conditions and the following disclaimer.
- \* Redistributions in binary form must reproduce the above copyright notice, this list of conditions and the following disclaimer in the documentation and/or other materials provided with the distribution.
- \* Neither the name of the Networks Associates Technology, Inc nor the names of its contributors may be used to endorse or promote products derived from this software without specific prior written permission.

THIS SOFTWARE IS PROVIDED BY THE COPYRIGHT HOLDERS AND CONTRIBUTORS "AS IS" AND ANY EXPRESS OR IMPLIED WARRANTIES, INCLUDING, BUT NOT LIMITED TO, THE IMPLIED WARRANTIES OF MERCHANTABILITY AND FITNESS FOR A PARTICULAR PURPOSE ARE DISCLAIMED. IN NO EVENT SHALL THE COPYRIGHT HOLDERS OR CONTRIBUTORS BE LIABLE FOR ANY DIRECT, INDIRECT, INCIDENTAL, SPECIAL, EXEMPLARY, OR CONSEQUENTIAL DAMAGES (INCLUDING, BUT NOT LIMITED TO, PROCUREMENT OF SUBSTITUTE GOODS OR SERVICES; LOSS OF USE, DATA, OR PROFITS; OR BUSINESS INTERRUPTION) HOWEVER CAUSED AND ON ANY THEORY OF LIABILITY, WHETHER IN CONTRACT, STRICT LIABILITY, OR TORT (INCLUDING NEGLIGENCE OR OTHERWISE) ARISING IN ANY WAY OUT OF THE USE OF THIS SOFTWARE, EVEN IF ADVISED OF THE POSSIBILITY OF SUCH DAMAGE.

**---- Part 3: Cambridge Broadband Ltd. copyright notice (BSD) ----**

Portions of this code are copyright (c) 2001-2003, Cambridge Broadband Ltd.  
All rights reserved.

Redistribution and use in source and binary forms, with or without  
modification, are permitted provided that the following conditions are met:

- \* Redistributions of source code must retain the above copyright notice,  
this list of conditions and the following disclaimer.
- \* Redistributions in binary form must reproduce the above copyright notice,  
this list of conditions and the following disclaimer in the documentation and/or  
other materials provided with the distribution.
- \* The name of Cambridge Broadband Ltd. may not be used to endorse or promote  
products derived from this software without specific prior written permission.

THIS SOFTWARE IS PROVIDED BY THE COPYRIGHT HOLDER "AS IS" AND ANY EXPRESS OR IMPLIED WARRANTIES, INCLUDING, BUT NOT LIMITED TO, THE IMPLIED WARRANTIES OF MERCHANTABILITY AND FITNESS FOR A PARTICULAR PURPOSE ARE DISCLAIMED. IN NO EVENT SHALL THE COPYRIGHT HOLDER BE LIABLE FOR ANY DIRECT, INDIRECT, INCIDENTAL, SPECIAL, EXEMPLARY, OR CONSEQUENTIAL DAMAGES (INCLUDING, BUT NOT LIMITED TO, PROCUREMENT OF SUBSTITUTE GOODS OR SERVICES; LOSS OF USE, DATA, OR PROFITS; OR BUSINESS INTERRUPTION) HOWEVER CAUSED AND ON ANY THEORY OF LIABILITY, WHETHER IN CONTRACT, STRICT LIABILITY, OR TORT (INCLUDING NEGLIGENCE OR OTHERWISE) ARISING IN ANY WAY OUT OF THE USE OF THIS SOFTWARE, EVEN IF ADVISED OF THE POSSIBILITY OF SUCH DAMAGE.

**---- Part 4: Sun Microsystems, Inc. copyright notice (BSD) ----**

Copyright © 2003 Sun Microsystems, Inc., 4150 Network Circle, Santa Clara, California 95054, U.S.A. All rights reserved.

Use is subject to license terms below.

This distribution may include materials developed by third parties.

Sun, Sun Microsystems, the Sun logo and Solaris are trademarks or registered trademarks of Sun Microsystems, Inc. in the U.S. and other countries.

Redistribution and use in source and binary forms, with or without modification, are permitted provided that the following conditions are met:

Redistributions of source code must retain the above copyright notice, this list of conditions and the following disclaimer.

Redistributions in binary form must reproduce the above copyright notice, this list of conditions and the following disclaimer in the documentation and or other materials provided with the distribution.

Neither the name of the Sun Microsystems, Inc. nor the names of its contributors may be used to endorse or promote products derived from this software without specific prior written permission.

THIS SOFTWARE IS PROVIDED BY THE COPYRIGHT HOLDERS AND CONTRIBUTORS "AS IS" AND ANY EXPRESS OR IMPLIED WARRANTIES, INCLUDING, BUT NOT LIMITED TO, THE IMPLIED WARRANTIES OF MERCHANTABILITY AND FITNESS FOR A PARTICULAR PURPOSE ARE DISCLAIMED. IN NO EVENT SHALL THE COPYRIGHT HOLDERS OR CONTRIBUTORS BE LIABLE FOR ANY DIRECT, INDIRECT, INCIDENTAL, SPECIAL, EXEMPLARY, OR CONSEQUENTIAL DAMAGES (INCLUDING, BUT NOT LIMITED TO, PROCUREMENT OF SUBSTITUTE GOODS OR SERVICES; LOSS OF USE, DATA, OR PROFITS; OR BUSINESS INTERRUPTION) HOWEVER CAUSED AND ON ANY THEORY OF LIABILITY, WHETHER IN CONTRACT, STRICT LIABILITY, OR TORT (INCLUDING NEGLIGENCE OR OTHERWISE) ARISING IN ANY WAY OUT OF THE USE OF THIS SOFTWARE, EVEN IF ADVISED OF THE POSSIBILITY OF SUCH DAMAGE.

**---- Part 5: Sparta, Inc copyright notice (BSD) ----**

Copyright (c) 2003-2009, Sparta, Inc All rights reserved. Redistribution and use in source and binary forms, with or without Modification, are permitted provided that the following conditions are met: \* Redistributions of source code must retain the above copyright notice, this list of conditions and the following disclaimer. \* Redistributions in binary form must reproduce the above copyright notice, this list of conditions and the following disclaimer in the documentation and/or other materials provided with the distribution. \* Neither the name of Sparta, Inc nor the names of its contributors may be used to endorse or promote products derived from this software without specific prior written permission. THIS SOFTWARE IS PROVIDED BY THE COPYRIGHT HOLDERS AND CONTRIBUTORS ``ASIS" AND ANY EXPRESS OR IMPLIED WARRANTIES, INCLUDING, BUT NOT LIMITED TO, THE IMPLIED WARRANTIES OF MERCHANTABILITY AND FITNESS FOR A PARTICULAR PURPOSE ARE DISCLAIMED. IN NO EVENT SHALL THE COPYRIGHT HOLDERS OR CONTRIBUTORS BE LIABLE FOR ANY DIRECT, INDIRECT, INCIDENTAL, SPECIAL, EXEMPLARY, OR CONSEQUENTIAL DAMAGES (INCLUDING, BUT NOT LIMITED TO, PROCUREMENT OF SUBSTITUTE GOODS OR SERVICES; LOSS OF USE, DATA, OR PROFITS; OR BUSINESS INTERRUPTION) HOWEVER CAUSED AND ON ANY THEORY OF LIABILITY, WHETHER IN CONTRACT, STRICT LIABILITY, OR TORT (INCLUDING NEGLIGENCE OR OTHERWISE) ARISING IN ANY WAY OUT OF THE USE OF THIS SOFTWARE, EVEN IF ADVISED OF THE POSSIBILITY OF SUCH DAMAGE.

**---- Part 6: Cisco/BUPTNIC copyright notice (BSD) ----**

Copyright (c) 2004, Cisco, Inc and Information Network Center of Beijing University of Posts and Telecommunications. All rights reserved. Redistribution and use in source and binary forms, with or without Modification, are permitted provided that the following conditions are met: \* Redistributions of source code must retain the above copyright notice, this list of conditions and the following disclaimer. \* Redistributions in binary form must reproduce the above copyright notice, this list of conditions and the following disclaimer in the documentation and/or other materials provided with the distribution. \* Neither the name of Cisco, Inc, Beijing University of Posts and Telecommunications, nor the names of their contributors may be used to endorse or promote products derived from this software without specific prior written permission. THIS SOFTWARE IS PROVIDED BY THE COPYRIGHT HOLDERS AND CONTRIBUTORS ``ASIS" AND ANY EXPRESS OR IMPLIED WARRANTIES, INCLUDING, BUT NOT LIMITED TO, THE IMPLIED WARRANTIES OF MERCHANTABILITY AND FITNESS FOR A PARTICULAR PURPOSE ARE DISCLAIMED. IN NO EVENT SHALL THE COPYRIGHT HOLDERS OR CONTRIBUTORS BE LIABLE FOR ANY DIRECT, INDIRECT, INCIDENTAL, SPECIAL, EXEMPLARY, OR CONSEQUENTIAL DAMAGES (INCLUDING, BUT NOT LIMITED TO, PROCUREMENT OF SUBSTITUTE GOODS OR SERVICES; LOSS OF USE, DATA, OR PROFITS; OR BUSINESS INTERRUPTION)

**C**

Cleaning  
     Cutter / Perforator .....25  
     Printhead.....22  
     Print Roller .....24  
 Cleaning Instructions .....22  
 Connecting ..... 10  
 Contents of delivery .....9  
 Correctable error ..... 14  
 Critical error ..... 14

**D**

Device overview .....8

**E**

Environment ..... 7  
 Errors .....27  
     Correction.....7  
     Display .....7  
     Messages .....30  
     States .....7  
     Types.....7

**I**

Important information.....5  
 Instructions .....5  
 Intended use.....6  
 Irrecoverable error ..... 14

**L**

Lithium battery ..... 7  
 Loading externally fed and  
 fanfold media ..... 16  
 Loading media ..... 15  
 Loading media from roll ..... 15  
 Loading transfer ribbon..... 18

**M**

Margin stops .....8  
 Modifications.....7

**P**

Pause ..... 14  
 Power save mode ..... 14  
 Power supply ..... 10  
 Printer states ..... 14  
 Printhead  
     Cleaning .....22  
     Damage.....21, 22  
 Printing label.....14  
 Problem solution.....27

**R**

Ready ..... 14  
 Recycling .....7  
 Ribbon deflection, setting ..19

**S**

Safety instructions .....6  
 Service work .....7  
 Setting-up .....9  
 Supply voltage ..... 10  
 Switching on the printer ..... 11  
 Symbols .....13  
 Synchronizing the media  
 feed.....21

**T**

Tear-off mode .....21  
 Touchscreen display ..... 12

**U**

Unpacking.....9

**W**

Warning stickers .....7

Tel: +44(0) 1793616700 • Fax: +44(0) 1793 644304  
uksales@is-rayfast.com • export@is-rayfast.com

**www.is-rayfast.com**

2 Lydiard Fields, Swindon, Wiltshire, SN5 8UB

